

Design: File:  
 Customer: Brentwood  
 Date: P.O.#

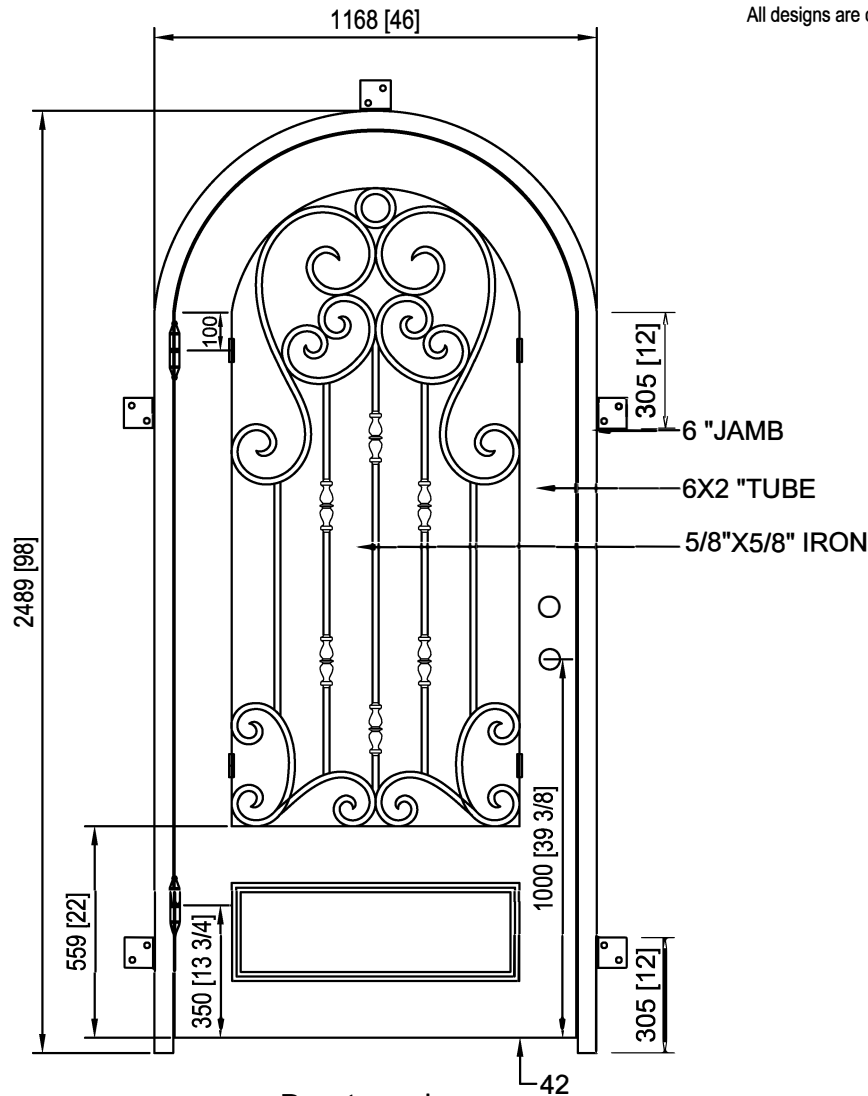
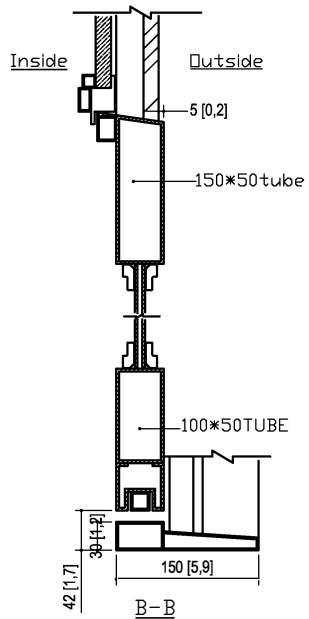
**JOB SPECIFICATIONS**

Total Area: 32.15 Glass Area:  
 Rough Opening: 47"W 98.5"H

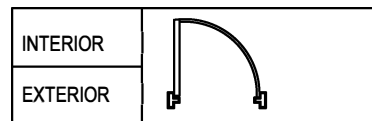
All designs are copyrighted by Acadian Ironworks and cannot be duplicated or reproduced under penalty of law.

ACADIAN IRONWORKS®  
 www.acadianironworks.com  
 2805 St. Charles Ave.  
 Monroe, LA 71201  
 Phone: 318-338-3070  
 Fax 318-388-0084  
 11125 Zodiac Lane  
 Dallas, TX 75229  
 Phone: 225-620-2176  
 Fax: 972-243-5615

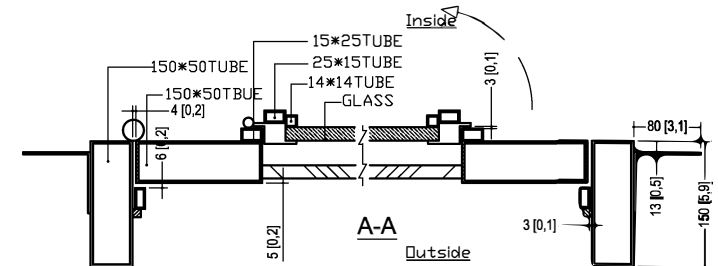
**NON IMPACT  
 LH INSWING  
 6" JAMB  
 OPERABLE GLASS  
 FIXED IRONWORK  
 3-1/8" X 3-1/8" TABS  
 BA-16-1  
 LOW E GLASS**



**Brentwood  
 IN-SWING**



**EXTERIOR VIEW**



DESIGN APPROVED BY: \_\_\_\_\_ DATE APPROVED: \_\_\_\_\_

TOLL FREE (855)-IRONWKS (855)476-6957 For more information go to: www.acadianironworks.com

© 2014 ACADIAN IRONWORKS UNAUTHORIZED USE OF THIS PLAN IS IN VIOLATION OF THE U.S. COPYRIGHT ACT TITLE 17 OF THE U.S. CODE

Non-thermal performance doors are not ideal for cold weather conditions. Acadian is not responsible for any condensation resulting non-thermal performance door being used in a cold weather environment.

