

Design: _____
 Customer: FLORENCE
 Date: _____ P.O.# _____

All designs are copyrighted by Acadian Ironworks and cannot be duplicated or reproduced under penalty of law.

ACADIAN IRONWORKS ®

**NON IMPACT
 LH INSWING**

www.acadianironworks.com
 2805 St. Charles Ave.
 Monroe, LA 71201

6" JAMB

Phone: 318-338-3070
 Fax: 318-388-0084

OPERABLE GLASS

11125 Zodiac Lane
 Dallas, TX 75229

FIXED SCROLLWORK

Phone: 225-620-2176
 Fax: 972-243-5615

3-1/8X3-1/8" TABS

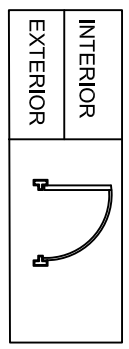
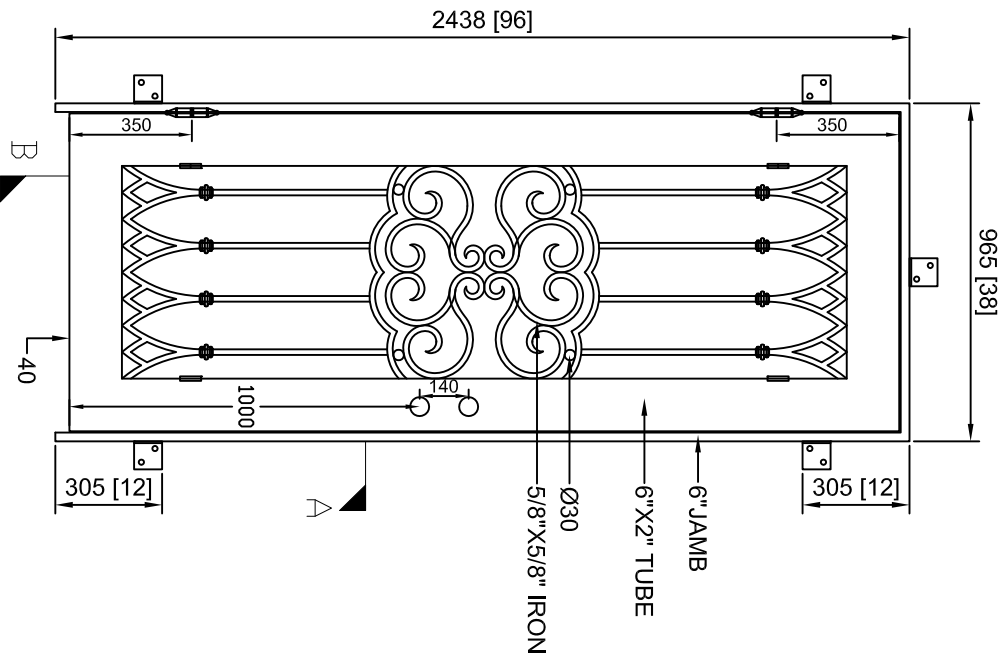
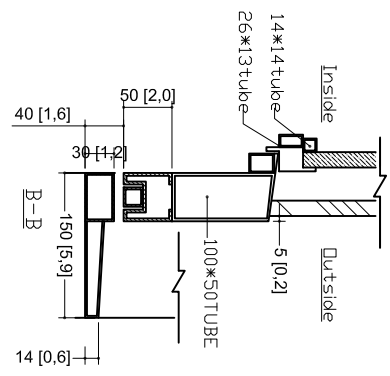
FIXED IRONWORK

BA-16-1

CLEAR GLASS

JOB SPECIFICATIONS

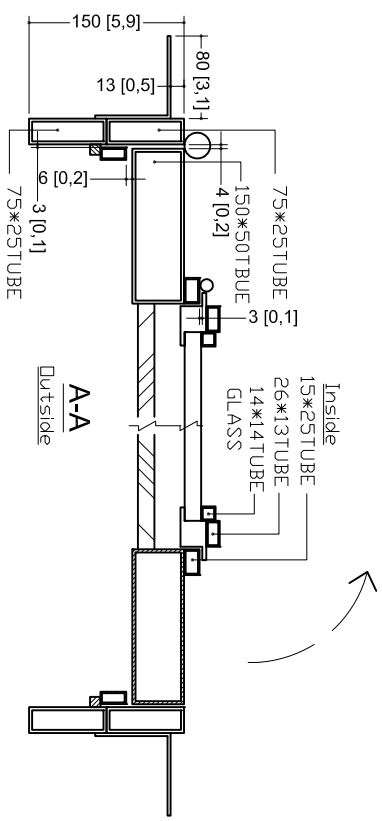
Total Area: 25.33 sq.ft Glass Area:
 Rough Opening: 38"Wx 96"H



EXTERIOR VIEW

**FLORENCE
 LH ID9307**

IN-SWING



DESIGN APPROVED BY: _____ DATE APPROVED: _____

TOLL FREE (855)-IRONWORKS (855)476-6957 For more information go to: www.acadianironworks.com

©2014 ACADIAN IRONWORKS UNAUTHORIZED USE OF THIS PLAN IS IN VIOLATION OF THE U.S. COPYRIGHT ACT TITLE 17 OF THE U.S. CODE

