

Design: File:
 Customer: Frick
 Date: P.O.#

All designs are copyrighted by Acadian Ironworks and cannot be duplicated or reproduced under penalty of law.

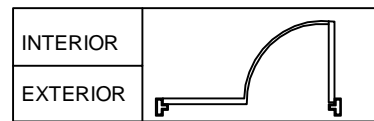
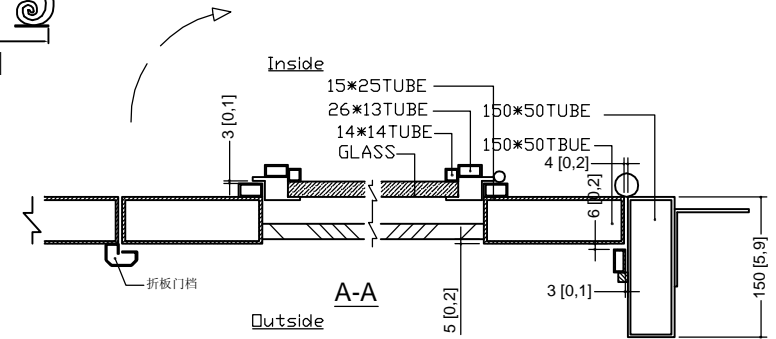
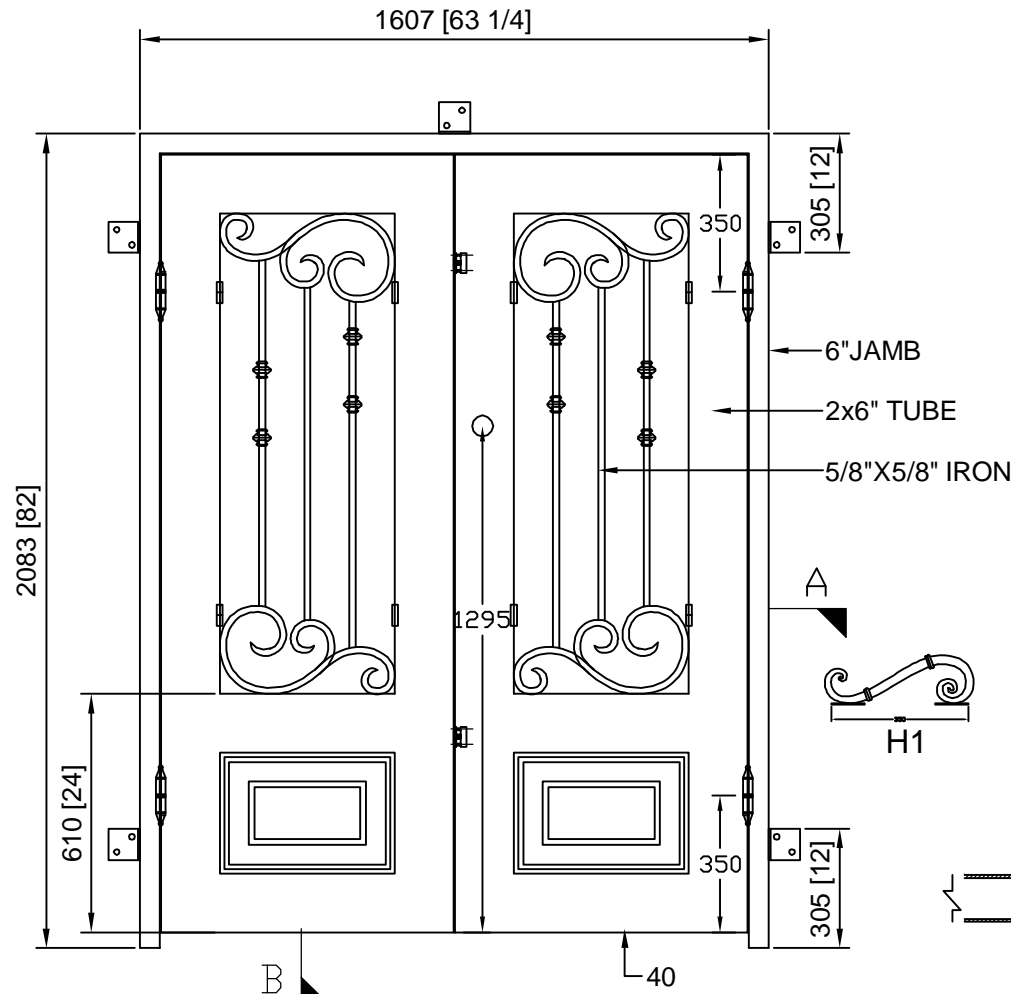
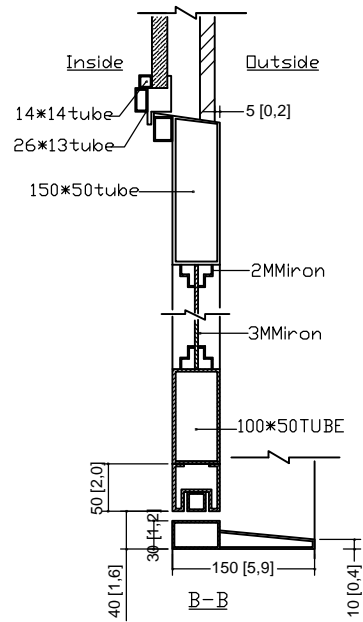
ACADIAN IRONWORKS®

www.acadianironworks.com
 2805 St. Charles Ave.
 Monroe, LA 71201
 Phone: 318-338-3070
 Fax: 318-388-0084
 11125 Zodiac Lane
 Dallas, TX 75229
 Phone: 225-620-2176
 Fax: 972-243-5615

JOB SPECIFICATIONS

Total Area: 36 sq.ft Glass Area:
 Rough Opening: 63.25"W 82"H

**RH INSWING
 BA-16-1
 6" jamb
 clear glass**



DESIGN APPROVED BY: _____ DATE APPROVED: _____

TOLL FREE (855)-IRONWKS (855)476-6957 For more information go to: www.acadianironworks.com

©2014 ACADIAN IRONWORKS UNAUTHORIZED USE OF THIS PLAN IS IN VIOLATION OF THE U.S. COPYRIGHT ACT TITLE 17 OF THE U.S. CODE

