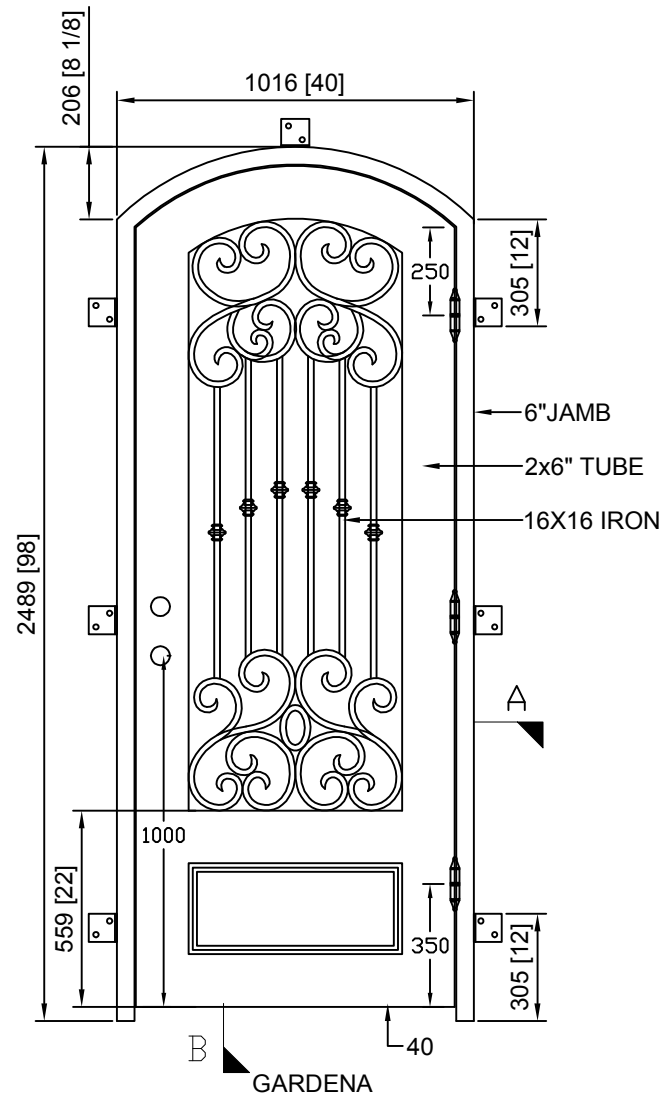
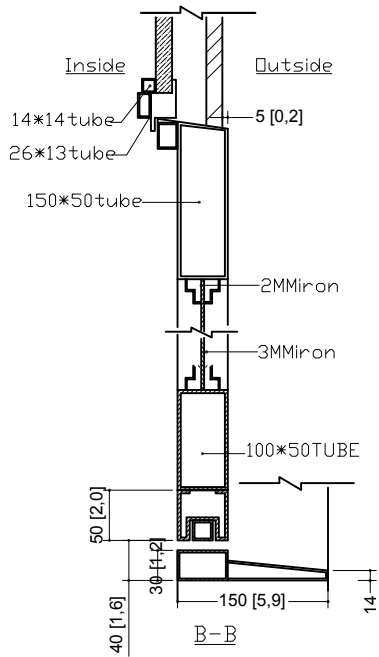


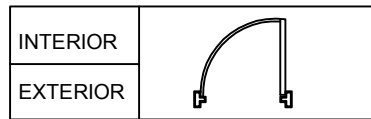
Design: File:  
 Customer: GARDENA  
 Date: P.O.#

**JOB SPECIFICATIONS**

Total Area: 27.22 sq.ft Glass Area:  
 Rough Opening: 40"W 98"H



IN-SWING



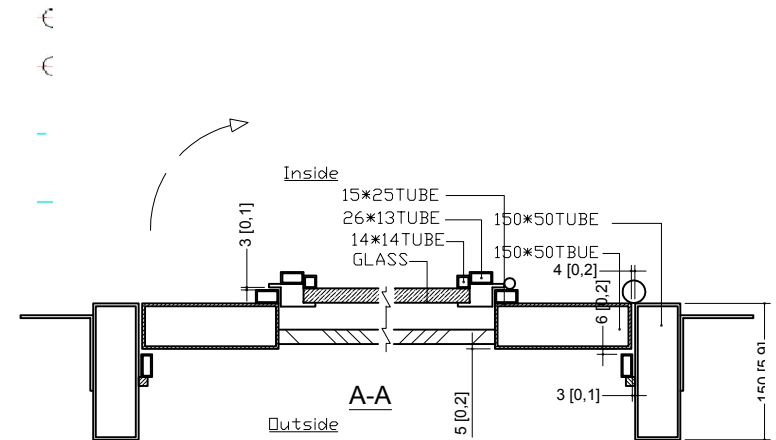
EXTERIOR VIEW

All designs are copyrighted by Acadian Ironworks and cannot be duplicated or reproduced under penalty of law.

**ACADIAN IRONWORKS®**

www.acadianironworks.com  
 2805 St. Charles Ave.  
 Monroe, LA 71201  
 Phone: 318-338-3070  
 Fax: 318-388-0084  
 11125 Zodiac Lane  
 Dallas, TX 75229  
 Phone: 225-620-2176  
 Fax: 972-243-5615

**NON IMPACT  
 RH INSWING  
 6" JAMB  
 OPERABEL GLASS  
 FIXED IRONWORK  
 3-1/8X 3-1/8" TABS**



DESIGN APPROVED BY: \_\_\_\_\_ DATE APPROVED: \_\_\_\_\_

TOLL FREE (855)-IRONWKS (855)476-6957 For more information go to: www.acadianironworks.com

©2014 ACADIAN IRONWORKS UNAUTHORIZED USE OF THIS PLAN IS IN VIOLATION OF THE U.S. COPYRIGHT ACT TITLE 17 OF THE U.S. CODE

