

Design: \_\_\_\_\_  
 Customer: MILLAN  
 Date: \_\_\_\_\_

File: \_\_\_\_\_  
 P.O.# \_\_\_\_\_

**JOB SPECIFICATIONS**

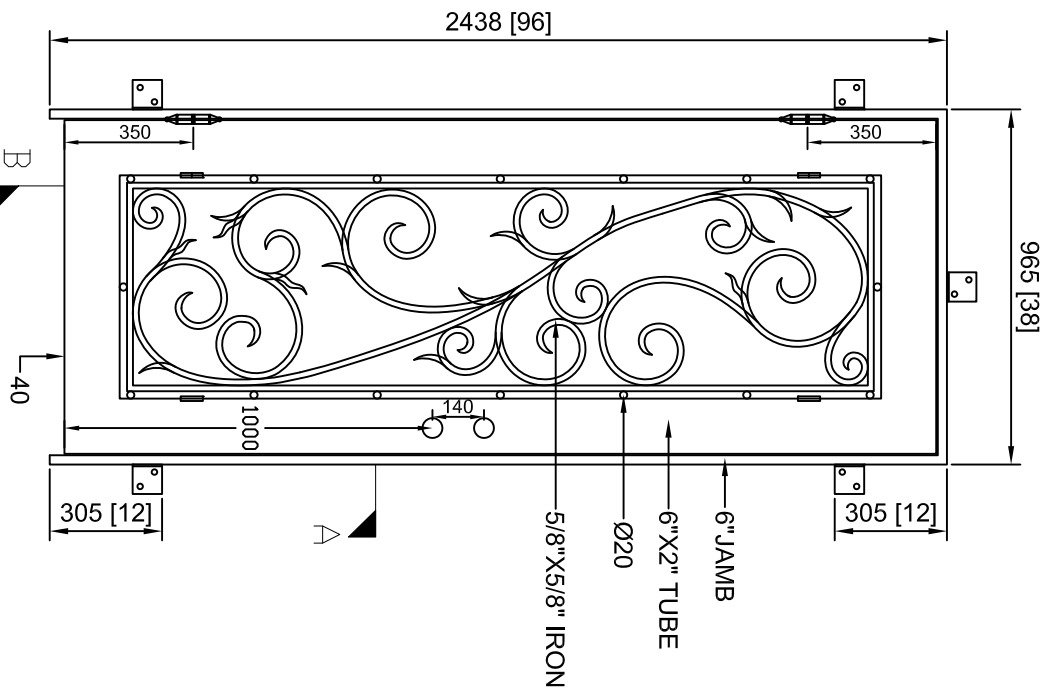
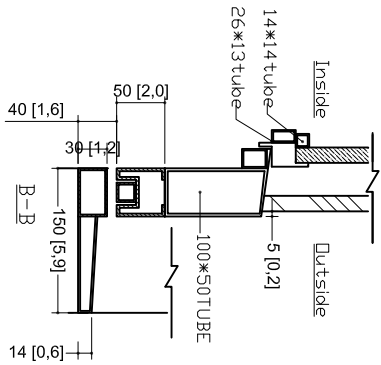
Total Area: 25.33 sq.ft Glass Area:  
 Rough Opening: 38"Wx 96"H

All designs are copyrighted by Acadian Ironworks and cannot be duplicated or reproduced under penalty of law.

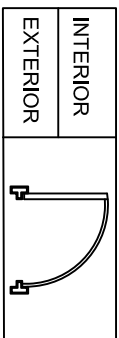
**ACADIAN IRONWORKS** ®

www.acadianironworks.com  
 2805 St. Charles Ave.  
 Monroe, LA 71201  
 Phone: 318-338-3070  
 Fax: 318-388-0084  
 11125 Zodiac Lane  
 Dallas, TX 75229  
 Phone: 225-620-2176  
 Fax: 972-243-5615

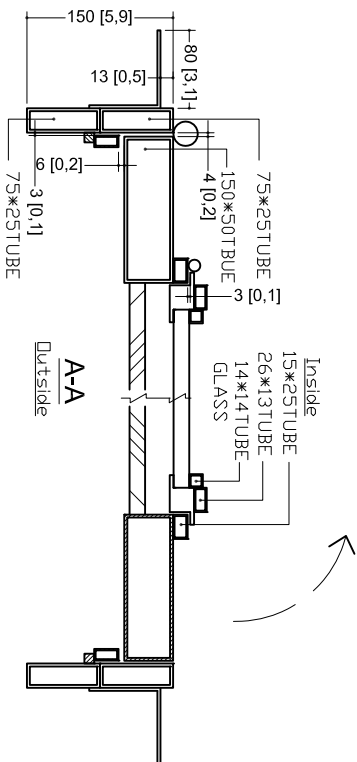
**NON IMPACT  
 LH INSWING  
 6" JAMB  
 OPERABLE GLASS  
 FIXED SCROLLWORK  
 3-1/8X3-1/8" TABS  
 FIXED IRONWORK  
 BA-16-1  
 AQT GLASS  
 NO STRIKES  
 UPGRADED HINGES**



MILLAN LH ID 9301  
 IN-SWING



EXTERIOR VIEW



DESIGN APPROVED BY: \_\_\_\_\_ DATE APPROVED: \_\_\_\_\_

TOLL FREE (855) IRONWKS (855) 476-6957 For more information go to: www.acadianironworks.com

©2014 ACADIAN IRONWORKS UNAUTHORIZED USE OF THIS PLAN IS IN VIOLATION OF THE U.S. COPYRIGHT ACT TITLE 17 OF THE U.S. CODE

