

Design: _____
 Customer: VENICE
 Date: _____

File: _____
 P.O.# _____

JOB SPECIFICATIONS

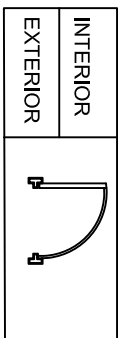
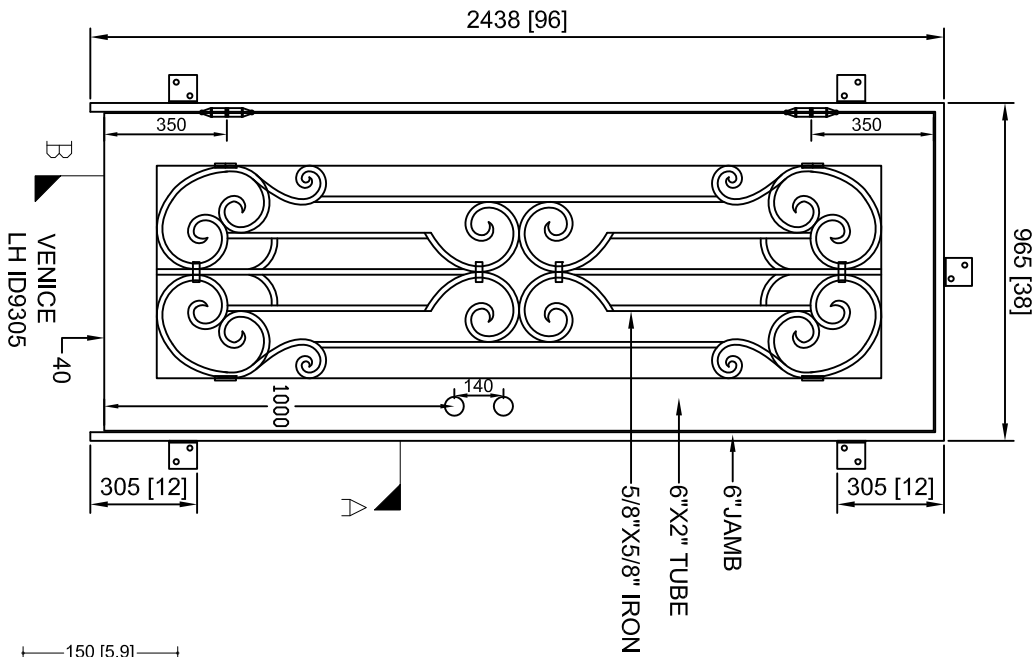
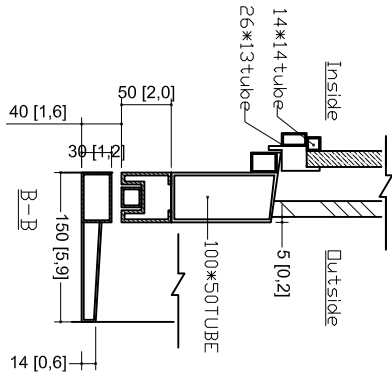
Total Area: 25.33 sq.ft Glass Area:
 Rough Opening: 38"Wx 96"H

All designs are copyrighted by Acadian Ironworks and cannot be duplicated or reproduced under penalty of law.

ACADIAN IRONWORKS ®

www.acadianironworks.com
 2805 St. Charles Ave.
 Monroe, LA 71201
 Phone: 318-338-3070
 Fax: 318-388-0084
 11125 Zodiac Lane
 Dallas, TX 75229
 Phone: 225-620-2176
 Fax: 972-243-5615

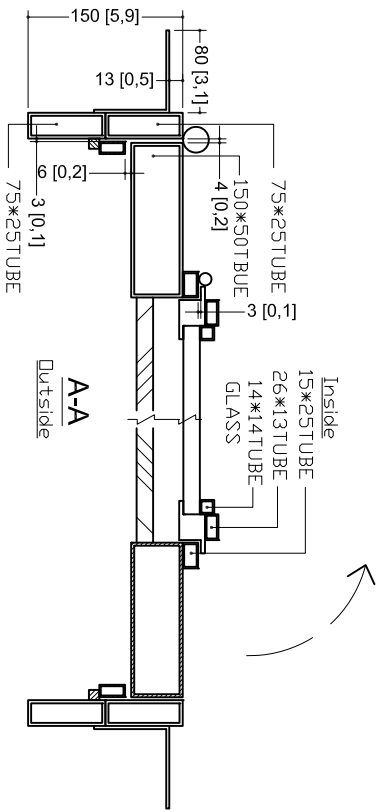
**NON IMPACT
 LH INSWING
 6" JAMB
 OPERABLE GLASS
 FIXED SCROLLWORK
 3-1/8X3-1/8" TABS
 FIXED IRONWORK
 BA-16-1
 CLEAR GLASS**



EXTERIOR VIEW

IN-SWING

VENICE
 LH ID9305



DESIGN APPROVED BY: _____ DATE APPROVED: _____

TOLL FREE (855)-IRONWORKS (855)476-6957 For more information go to: www.acadianironworks.com

©2014 ACADIAN IRONWORKS UNAUTHORIZED USE OF THIS PLAN IS IN VIOLATION OF THE U.S. COPYRIGHT ACT TITLE 17 OF THE U.S. CODE

