

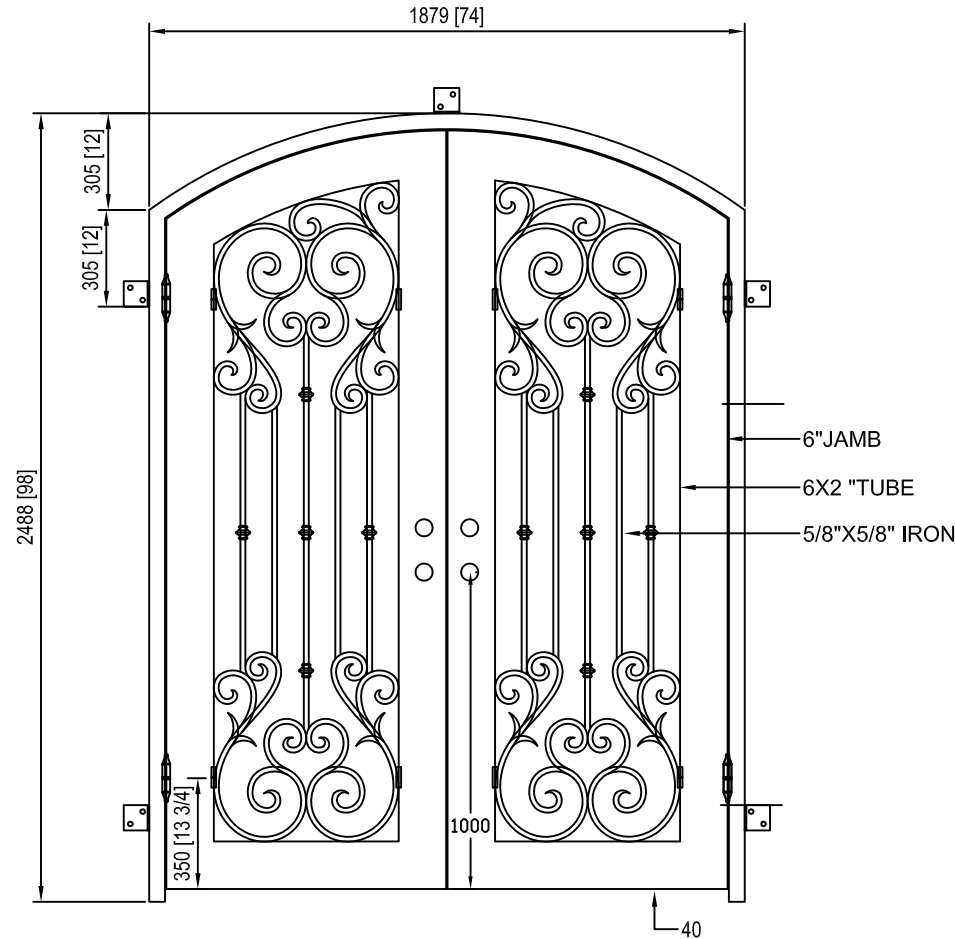
Design: File:
 Customer: santa barbara
 Date: P.O.#

All designs are copyrighted by Acadian Ironworks and cannot be duplicated or reproduced under penalty of law.

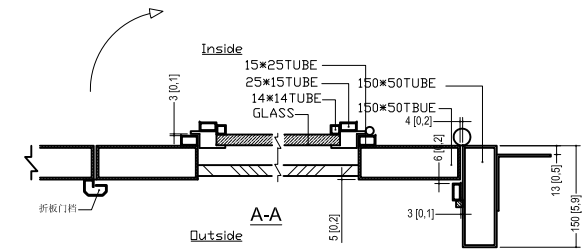
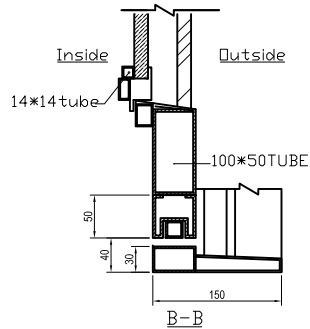
ACADIAN IRONWORKS ©
 www.acadianironworks.com
 2805 St. Charles Ave.
 Monroe, LA 71201
 Phone: 318-338-3070
 Fax: 318-388-0084
 11125 Zodiac Lane
 Dallas, TX 75229
 Phone: 225-620-2176
 Fax: 972-243-5615

JOB SPECIFICATIONS

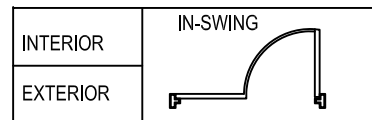
Total Area: 51.3 Glass Area:
 Rough Opening: 75"W 98.5"H



**NON IMPACT
 RH INSWING
 6" JAMB
 OPERABLE GLASS
 FIXED IRONWORK
 3-1/8X3-1/8" TABS
 LOW E GLASS
 BA-16-1**



santa barbara



EXTERIOR VIEW

DESIGN APPROVED BY: _____ DATE APPROVED: _____

TOLL FREE (855)-IRONWKS (855)476-6957 For more information go to: www.acadianironworks.com

© 2014 ACADIAN IRONWORKS UNAUTHORIZED USE OF THIS PLAN IS IN VIOLATION OF THE U.S. COPYRIGHT ACT TITLE 17 OF THE U.S. CODE

Non-thermal performance doors are not ideal for cold weather conditions. Acadian is not responsible for any condensation resulting non-thermal performance door being used in a cold weather environment.

